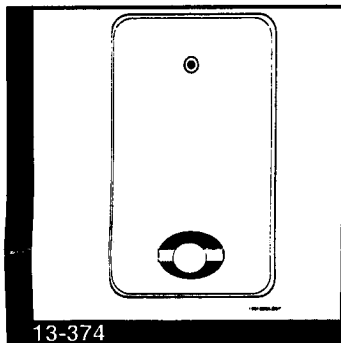


Hardwire Interior Siren, LD105

Document Number: 466-1589 Rev. B
April 30, 1998



INSTALLATION INSTRUCTIONS

Product Summary

This interior siren produces both alarm and status sounds. Two LD105 sirens may be installed with a Simon™ Control Panel.

Tools Needed

- Phillips screwdriver
- Screws and anchors (included)
- Needle-nose pliers
- 4-conductor, 22-gauge or greater, stranded wire
- Two Wire splices

Installation Guidelines

Use the following guidelines when installing the siren:

- When installing two sirens, make connections in parallel with correct polarity to maintain correct operation.

Mounting the Siren

This section describes how to mount the siren when attaching it to the Simon™ Control Panel.

Mounting Siren

- 1) Place the mounting plate against the wall in the desired location, with the siren vent pointed toward the floor, and mark the mounting hole location.
- 2) Install the anchor if needed, place the siren over the anchor and attach the screw.

Wiring the Siren to Simon™ Control Panel

Use the resistor taped to the side of the siren.

Make the wiring connections to the Simon Control Panel as shown in the figure below.

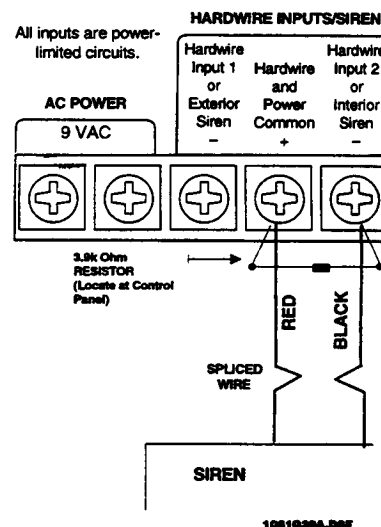


Figure 1. Siren Wiring

- 1) Splice the black wire of the Control Panel to the black wire of the siren. Do the same for the red wires of both units. Be sure to wire the siren black wire to the terminal on the control panel labeled as interior siren because status beeps will not be heard for sirens installed as exterior sirens.
- 2) A 3.9k Ohm resistor will need to be connected to the black and red wires at the Control Panel.

Note: If you do not install the 3.9 resistor, the siren will hum when the Control Panel is on stand-by.

WARNING: Do not connect more than two sirens.

Testing the Siren

This section describes how to test the siren.

- 1) Contact the central station and inform them that you will be testing the system.
- 2) Test for alarm sounds by activating each type of alarm (fire, intrusion, and auxiliary).
- 3) Test for status sounds by pressing the STATUS button with the system in various states (armed to different levels or disarmed).

NOTE: Status sounds will not be heard if the siren was wired as an exterior siren. Status sounds are only heard when the siren is wired to the Interior Siren block on the Control Panel.

Specifications

Compatibility: Simon™

Current Draw 75 mA @ 6 VDC, 150 mA @ 12 VDC

Dimensions: 4.80" x 2.85" x 1.52" (L x W x D)

Notices

Changes or modifications not expressly approved by Interactive Technologies, Inc. can void the user's authority to operate the equipment.



INTERACTIVE TECHNOLOGIES, INC.

2266 SECOND STREET NORTH
NORTH SAINT PAUL, MN 55109

T: 612/777-2690

F: 612/779-4890

WIRELESS

Security
Automation
Access Control

ITI and Simon are registered trademarks of Interactive Technologies, Inc.